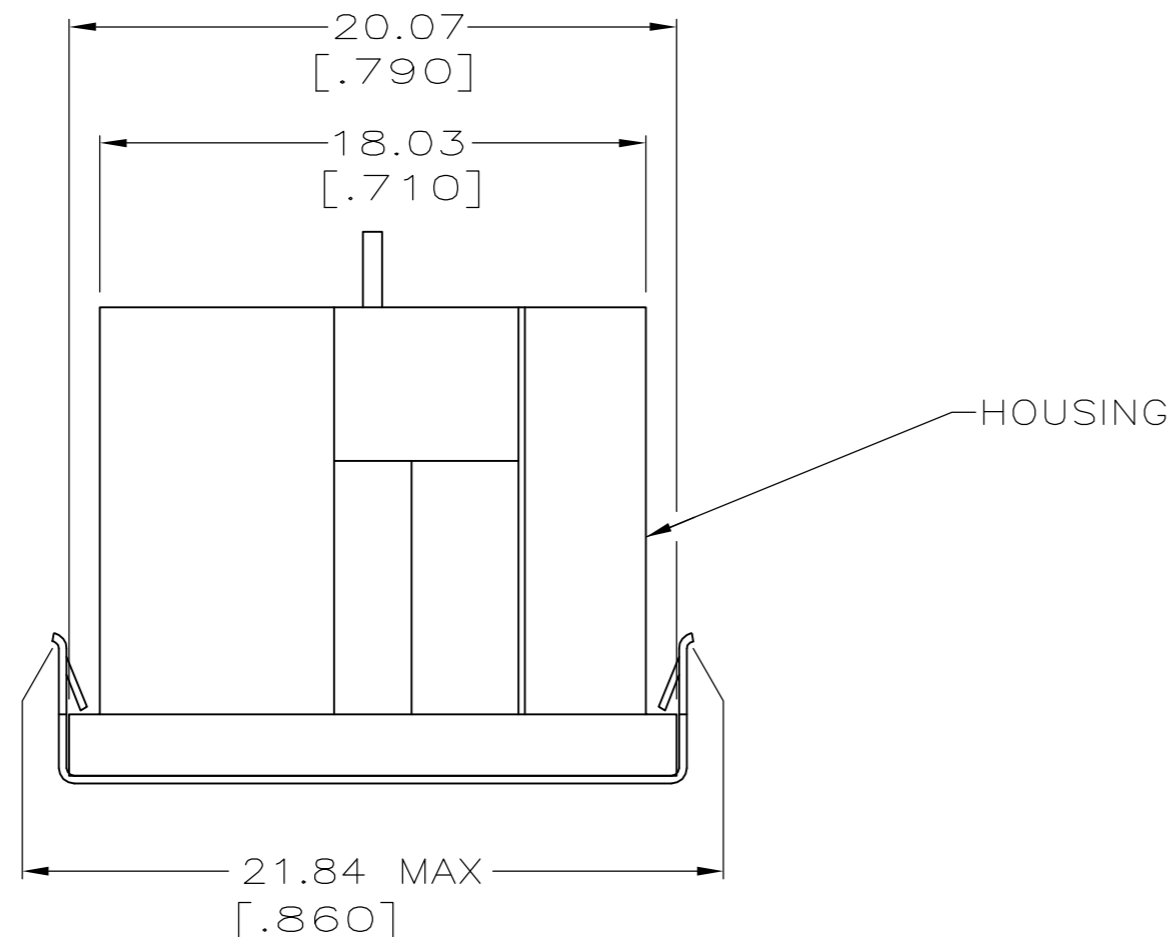
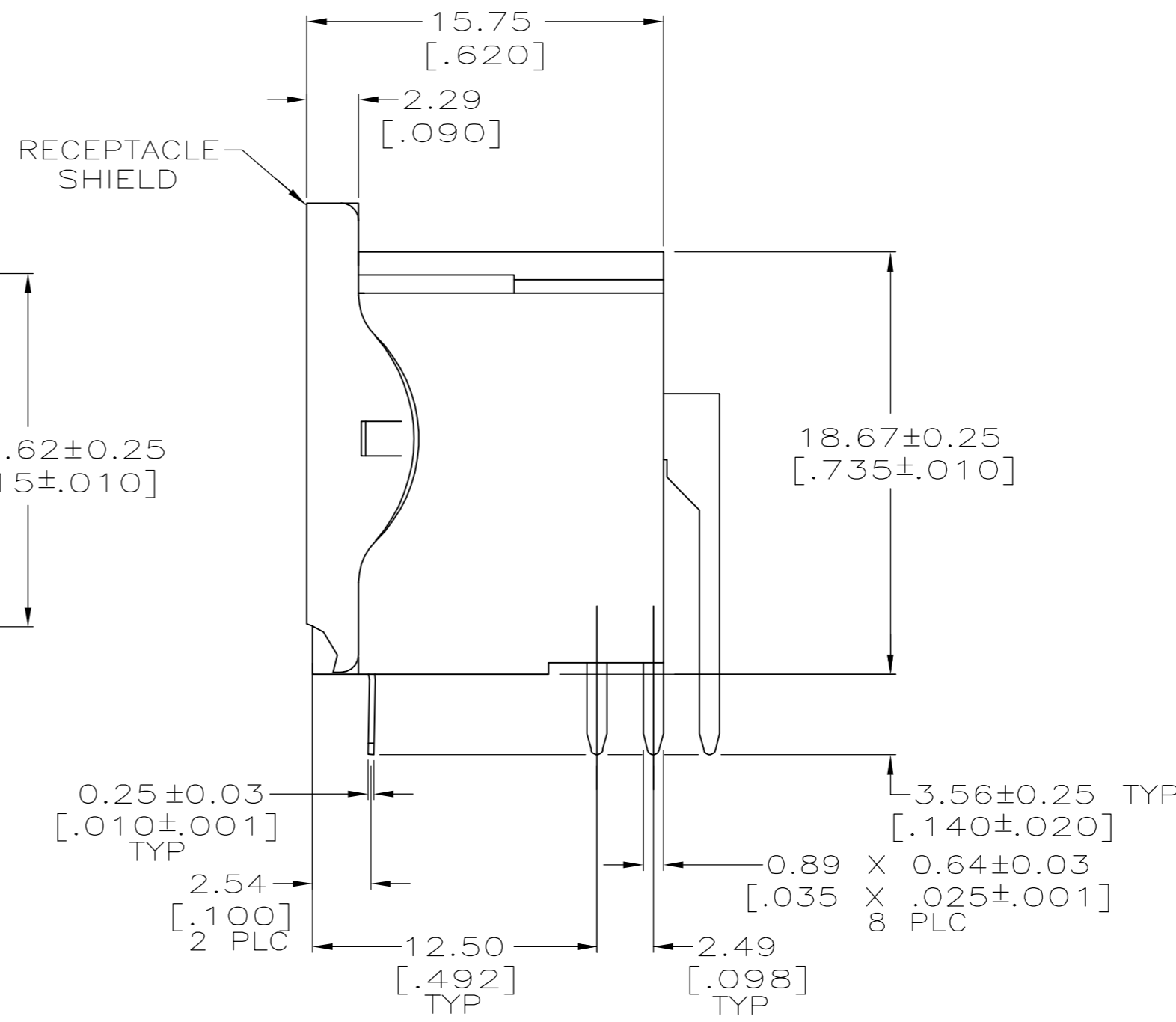
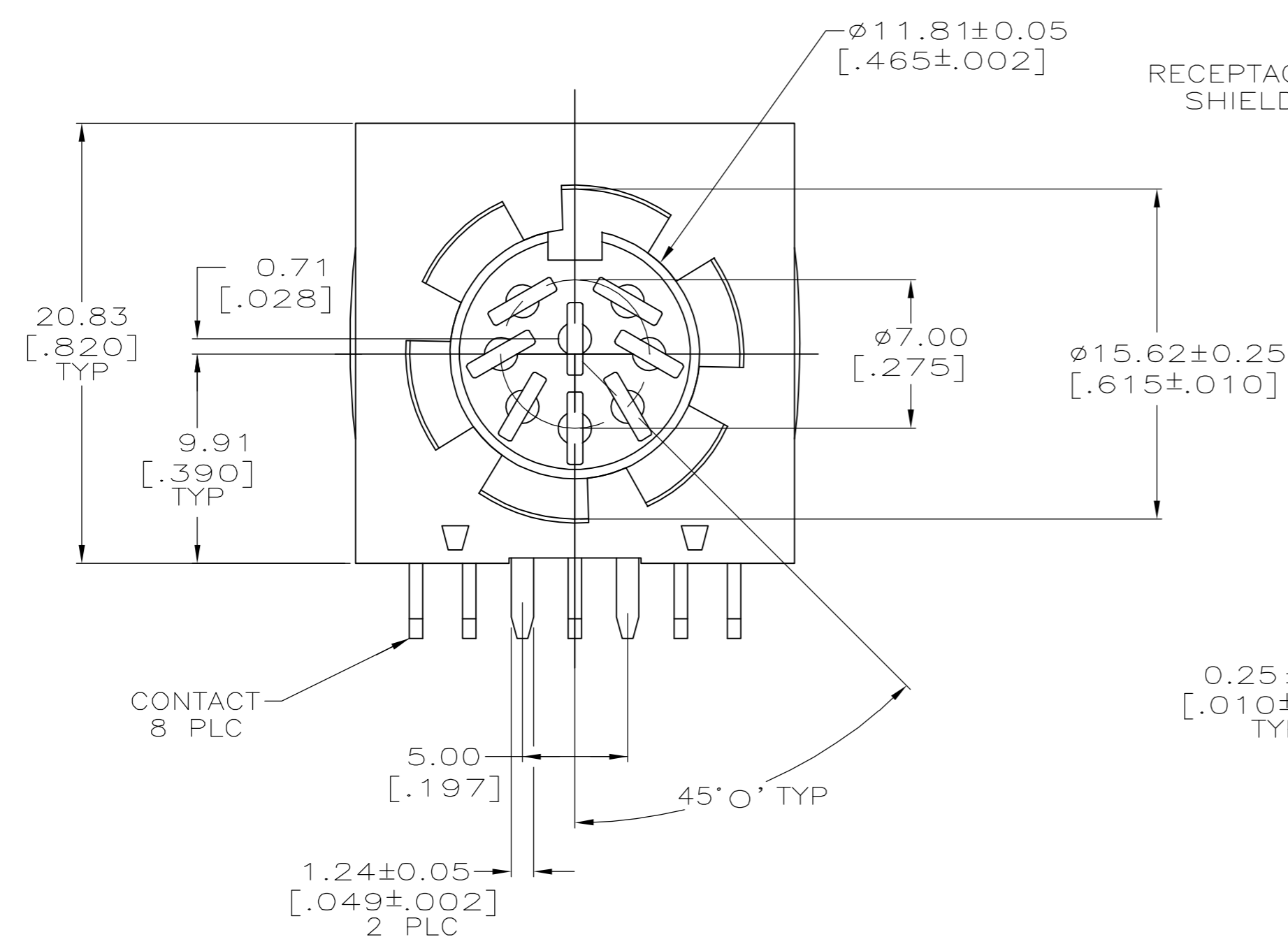


THIS DRAWING IS UNPUBLISHED. RELEASED FOR PUBLICATION
 © COPYRIGHT BY TYCO ELECTRONICS CORPORATION. ALL RIGHTS RESERVED.

LOC	DIST	REVISIONS			
P	LTR	DESCRIPTION	DATE	DWN	APVD
GP	00				
	01	REVISED PER ECO-07-008008	10APR07	JDP	CWR



- ① HOUSING: NYLON, UL 94V-0 RATED, BLACK.
- ② CONTACTS & RECEPTACLE SHIELD: 2.54μm [.000100] MIN TIN OVER 1.27μm [.000050] MIN NICKEL.
- ③ CONTACTS & RECEPTACLE SHIELD: BRASS.



5212047-1
 PART NUMBER

THIS DRAWING IS A CONTROLLED DOCUMENT.		DWN L. VARELA - DOCK5 11-12-04	Tyco Electronics Corporation Harrisburg, PA 17105-3608	
DIMENSIONS: mm [INCHES]	TOLERANCES UNLESS OTHERWISE SPECIFIED:	CHK C. ROHDE 11-12-04	NAME RECEPTACLE ASSY, RIGHT ANGLE, SHIELDED, 8 POSITION, CIRCULAR DIN	
	0 PLC ± -	APVD M. WALMSLEY 11-12-04	PRODUCT SPEC 108-10047	
	1 PLC ± -	APPLICATION SPEC 114-40025	SIZE A2	CAGE CODE 00779
MATERIAL ① ③	FINISH ②	RESTRICTED TO -	DRAWING NO C=5212047	SCALE 4:1
CUSTOMER DRAWING		WEIGHT -	SHEET 1 of 1	REV 01